

Thomson RoundWay® Linear Roller Bearings

Designed to withstand extremes of load, speed, temperature and contamination.

 **THOMSON™**

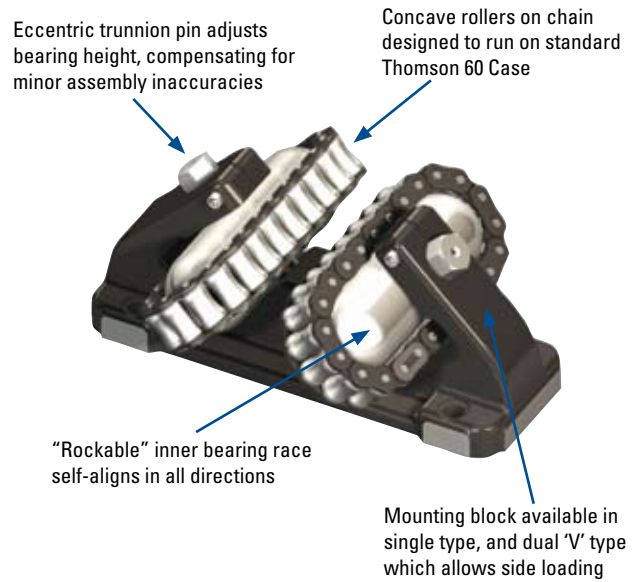
Linear Motion. Optimized.

Thomson RoundWay® Linear Roller Bearings

The patented RoundWay Linear Roller Bearing operates on 60 Case® LinearRace shafting, with over 20 times the load capacity of a conventional linear ball bearing. RoundWay has the unique advantage of providing high load capacity without the installation costs typical of Profile Rail products with much greater resistance to environmental contaminants.

- Dynamic Load rating of up to 70,000 lbf (310,800 N)¹
- Velocity up to 100 ft/s (31 m/s)
- Ability to handle exceptionally harsh environmental conditions
 - Extremely contaminant resistant
 - Maximum operating temperature of 500°F (260°C)
- Bearing height infinitely adjustable within up to +/- .030" (+/- .38 mm)¹
- Size range from ½" to 4"
- Replacement parts available to reduce maintenance cost

(1) Applies to 6" RW "V" bearing



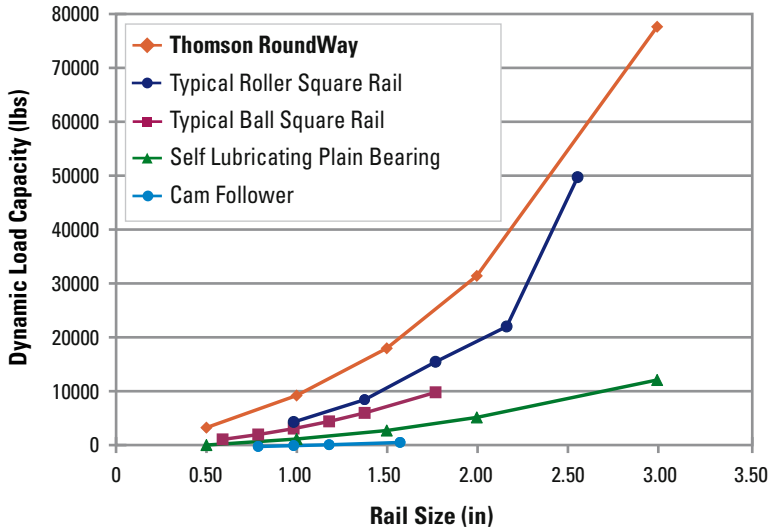
Feature		Advantage	Application Benefits
Concave Rollers	1	Double maximum contact ellipse maximizes load capacity of an anti-friction linear bearing. Can carry loads up to 70,000 lbs per bearing at a 10 million inch L10 rated travel life.	Ideal for extremely high load applications.
Chain-linked Rollers	2	Ability to travel at speeds up to 100ft/s. Conventional linear bearings and guides are limited to top speeds of 10 ft/s.	High speed automation systems - high speed belt drives, rack systems, etc., are no longer limited by the max. speed of linear bearings and guides.
	3	Ability to operate in severely contaminated environments without protective bellows. There are no pockets where debris can accumulate to bind up the bearing.	Open roller assembly is suited for metal removal, paper and wood processing, and granite quarrying. Metal chips, paper flour, wood chips, and abrasive dust would normally destroy conventional linear bearings and guides.
All Steel and Iron Construction	4	Offers: <ul style="list-style-type: none"> • High temperature capacity to 500°F • Rugged use • Increased rigidity. 	Durable in extreme environments.
Circular Inner Race	5	Lateral self-alignment feature provides parallelism forgiveness. Rails for RoundWay bearings may be out of parallel as much as 0.1875". Ball Bushing Bearings require rails to be parallel within 0.0010". Profile Rail products require rails to be parallel within 0.0004".	Ideal for use in gantry systems where it is difficult to maintain 0.001" or better parallelism tolerances over long rail lengths that may be spread far apart.
Eccentric Trunnion Pin	6	Enables: <ul style="list-style-type: none"> • Pitch self-alignment • ± 0.030" height adjustment which can be used to set preload in "locked-in" arrangements. 	<ul style="list-style-type: none"> • Self-alignment enables operation on inaccurate mounting surfaces • Preload benefits applications requiring maximum stiffness and minimal deflection.
Recirculating Ground Roller Assembly	7	Ability to span across gaps in shaft.	Assembly and packaging systems - quicker and more efficient pallet changing is now possible.
	8	Dynamic coefficient of friction of 0.005 and a height tolerance of ±0.003", the equivalent to standard linear bearing tolerances.	Allows for energy efficient, high load and precision linear motion.
	9	Quieter, smoother operation than anti-friction linear bearings and guides. Low capacity nylon balls not necessary.	Minimal noise while still maintaining high load capacity and very low friction.
RoundRail Advantage	10	Round shafts enable bearing to rotate thereby eliminating the potential for induced torsional stresses.	Operates on inaccurate mounting surfaces

RoundWay Load, Speed and Performance Capabilities

The RoundWay's rigid all-steel construction makes it ideal for unforgiving environments

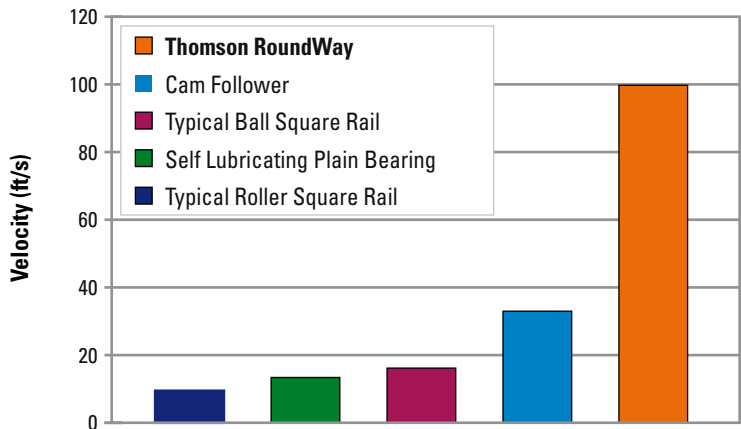
Environment	Cam Follower	Self-Lubricated Plain Bearing	Typical Ball Profile Rail	Thomson RoundWay
Load Capacity	Poor	Good	Very Good	Excellent
Maximum Speed	Good	Fair	Fair	Excellent
Contaminants	Good	Very Good	Fair	Excellent
Impacts/Vibration	Poor	Very Good	Very Good	Excellent
High Temperature	Fair	Very Good	Fair	Excellent

Bearing Dynamic Load Capacity⁽¹⁾



The RoundWay 'V' dynamic load capacity exceeds other bearing technology types

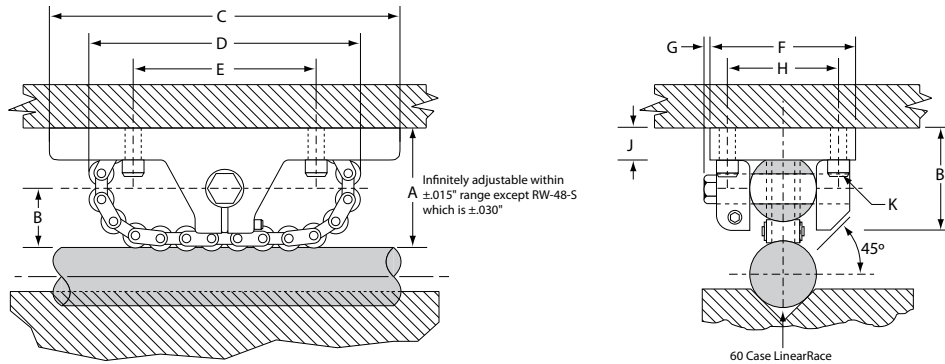
Maximum Bearing Velocity



The RoundWay's chain guided rollers allow it to travel at incredibly high speeds – up to almost 70 mph!

(1) As calculated per ISO 14728-1, based on 10 million inches of travel at a speed of 30ft/min

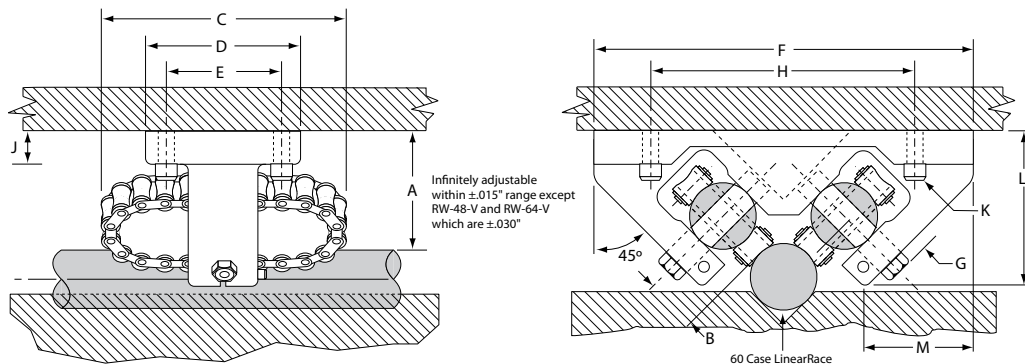
RoundWay Specifications



RoundWay Linear Roller Bearings (Single Type) and 60 Case LinearRace (Dimensions in inches)

Part Number		Nom. Dia.	A	B	C	D	E	F	G	H	J	K		L	Bearing Mass lb	Dynamic ⁽¹⁾ Load Capacity lb _f
RoundWay Bearing	60 Case LinearRace											Bolt	Hole			
RW-8-S	1/2 L PD	.500	1.00	.45	3.0	2.38	1.50	1.25	.19	.94	.31	#6	.16	.88	.50	970
RW-16-S	1 L PD	1.000	1.75	.80	5.0	3.75	2.50	2.13	.25	1.63	.50	#10	.25	1.50	2.20	3020
RW-24-S	1 1/2 L PD	1.500	2.50	1.15	6.5	5.38	3.50	2.88	.31	2.13	.63	.31	.38	2.13	5.60	6020
RW-32-S	2 L PD	2.000	3.25	1.50	8.5	7.38	4.50	3.63	.38	2.75	.75	.38	.44	2.88	12.40	12360
RW-48-S	3 L PD	3.000	5.00	2.30	13.0	11.00	7.00	6.00	.50	4.25	1.25	.63	.69	4.25	48.00	24000

(1) Dynamic Load Capacity is based on 10 million inches of travel.



RoundWay Linear Roller Bearings (Dual Type) and 60 Case LinearRace (Dimensions in inches)

Part Number		Nom. Dia.	A	B	C	D	E	F	G	H	J	K		L	M	Bearing Mass lb	Dynamic ⁽¹⁾ Load Capacity lb _f
RoundWay Bearing	60 Case LinearRace											Bolt	Hole				
RW-8-V	1/2 L PD	.500	1.00	.45	2.38	1.38	1.00	3.00	.19	2.25	.31	#8	.19	1.38	.69	1.10	1370
RW-16-V	1 L PD	1.000	1.75	.80	3.75	2.25	1.63	5.75	.25	4.0	.50	#10	.25	2.38	1.56	4.90	4300
RW-24-V	1 1/2 L PD	1.500	2.50	1.15	5.38	2.75	2.00	7.88	.31	6.0	.63	.31	.38	3.38	2.13	11.70	8600
RW-32-V	2 L PD	2.000	3.25	1.50	7.38	3.50	2.50	9.75	.38	7.5	.75	.38	.44	4.38	2.50	25.20	17500
RW-48-V	3 L PD	3.000	5.00	2.30	11.00	5.50	4.00	15.50	.63	12.00	1.25	.63	.69	7.00	4.25	90.00	35000
RW-64-V	4 L PD	4.000	6.50	3.00	14.88	7.00	5.00	19.25	.75	15.00	1.50	.75	.81	8.63	5.00	193.00	70000

(1) Dynamic Load Capacity is based on 10 million inches of travel.

RoundWay Linear Bearings Used Across Numerous Industries:

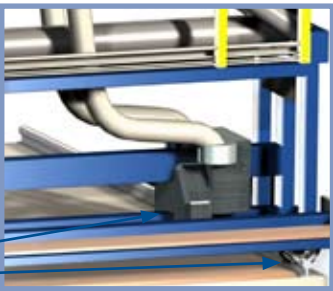


Steel Processing
Heavy Assembly
Refineries
Woodworking



Application: Fiberglass Saw

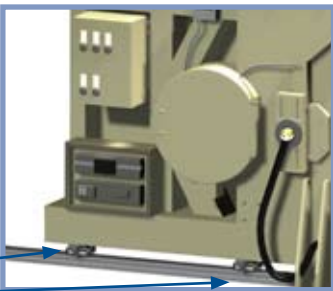
- Designed using (4) Roundway 32V bearings benefits:
 - High load capacity – 2 ton load
 - High contamination resistance – fiberglass particles
 - Minimal installation time - 60 Case LinearRace shafting can be mounted slightly out or parallel, eliminating the need for costly alignment procedures



RoundWay Bearing

Application: UV Curing System

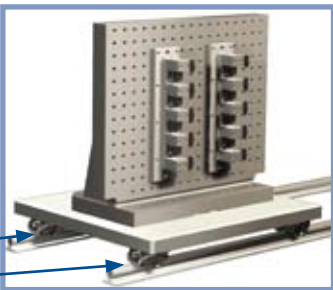
- Designed using (4) Roundway 32V bearings benefits:
 - High load capacity - 8 ton load
 - High contamination resistance – rubber dust
 - Minimal replacement costs – Roundway bearing components can be replaced without replacing bearing mount



RoundWay Bearing

Application: Machining Pallet Transfer

- Designed using (4) RoundWay 24V bearings benefits
 - Long life – bearings in operation for 14 years without replacement
 - Bearing spans .080” gap between shafting in part loading area and transfer station



RoundWay Bearing

Let Thomson help define the optimal linear motion solution for your application. We offer the broadest range of linear guides and components including Linear Ball Bushing® Bearings, Profile Rail Bearings, RoundWay Bearings and complete linear motion systems.



USA, CANADA and MEXICO

Thomson
203A West Rock Road
Radford, VA 24141 USA
Phone: 1-540-633-3549
Fax: 1-540-633-0294
E-mail: thomson@thomsonlinear.com
Literature: www.literature.danahermotion.com

EUROPE

United Kingdom

Thomson
Fishleigh Road
Barnstaple
EX31 3UD, United Kingdom
Phone: +44 (0)1271 334 500
Fax: +44 (0)1271 334 501
E-mail: sales.uk@thomsonlinear.com

Germany

Thomson
Nürtinger Straße 70
72649 Wolfschlügen
Phone: +49 (0) 7022 504 100
Fax: +49 (0) 7022 504 405
E-mail: sales.wolfschlügen@thomsonlinear.com

Italy

Thomson
Largo Brughetti
I-20030 Bovisio Masciago
Italy
Phone: +39 0362 594260
Fax: +39 0362 594263
E-mail: info@thomsonlinear.com

Sweden

Thomson
Box 9053
SE-291 09 Kristianstad
Sweden
Phone: +46 (0) 44-24 67 00
Fax: +46 (0) 44-24 40 85
E-mail: helpdesk.kid@thomsonlinear.com

Switzerland

Thomson
La Pierreire 2
1029 Villars-Ste-Croix
Switzerland
Phone: +41 (0) 21 631 33 33
Fax: +41 (0) 21 636 05 09
E-mail: info@thomsonlinear.com

France

Thomson
C.P 80018
12, Rue Antoine Becquerel – Z.I. Sud
F-72026 Le Mans Cedex 2
France
Phone: +33 (0) 243 50 03 30
Fax: +33 (0) 243 50 03 39
E-mail: sales.france@thomsonlinear.com

ASIA

China

Thomson
Rm 2205, Scitech Tower
22 Jianguomen Wai Street
Beijing, China, 100004
Phone: +86 10 6515 0260
Fax: +86 10 6515 0263
E-mail: sales.china@thomsonlinear.com

Japan

Thomson
2F, Sigma Hatchobori Bldg,
2-7-1 Hatchobori Chuo-ku,
Tokyo 104-0032 Japan
Phone: +81-3-6222-1051
Fax: +81-3-6222-1055
E-mail: info@danahermotion.co.jp

Asia Pacific

Thomson
Unit A, 16 Floor, 169 Electric Road
Manulife Tower, North Point
Hong Kong
Phone: +852 2503 6581
Fax: +852 2571 8585
E-mail: victor.lim@thomsonlinear.com

Korea

Thomson
Room No. 715, Western Tower II
867, Janghang-dong,
Ilsandong-gu, Koyang-city,
Kyunggi-do, 410-380, KOREA
Phone: +82 31 931 5170
Fax: +82 31 931 5176
Email: koreainfo@thomsonlinear.com

200902-04 TPS 5k T.J. 5/2009 USA
Specifications are subject to change without notice. It is the responsibility of the product user to determine the suitability of this product for a specific application. All trademarks property of their respective owners.
© Thomson 2009