

PRXXX-XB65-XXXCX

Rated Performance:

Model Designation	Dynamic Thrust	Static Load Holding
PRxx20-8B65-xxKCx	2000 lbs	4000 lbs
PRxx15-8B65-xxKCx	1500 lbs	3000 lbs
PRxx10-4B65-xxKCx	1000 lbs	2000 lbs
PRxx05-2B65-xxKCx	500 lbs	1000 lbs

Input Voltage:

PR12	10 to 16 VDC
PR24	20 to 32 VDC
PR36	30 to 40 VDC

Maximum Current at Rated Dynamic Thrust:

PR12	22 amperes
PR24	12 amperes
PR36	8 amperes

Axial End Play: 0.040 inch maximum not including mounting points

Restraining Torque: 150 pound-inches minimum; mounting pins must be parallel

Duty Cycle: 25% maximum at rated load with a maximum "on time" of 30 seconds

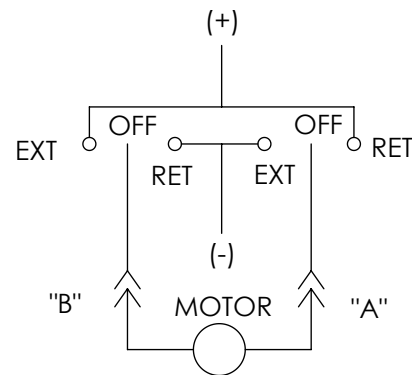
End of Stroke: Self Adjusting, Electronic, Internal Limit Switches

Overload Protection: Electronic Load Monitoring supports between 120 and 140% of rated dynamic thrust and protects against excessive duty. External fuse is recommended for additional protection.

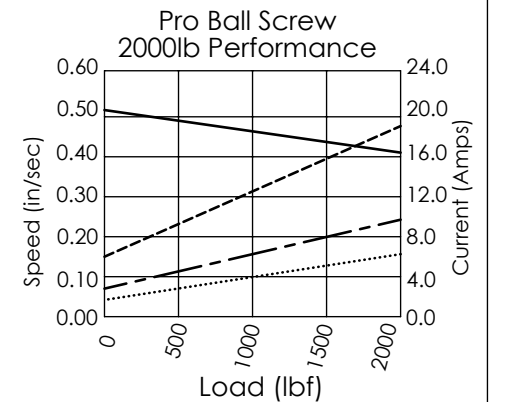
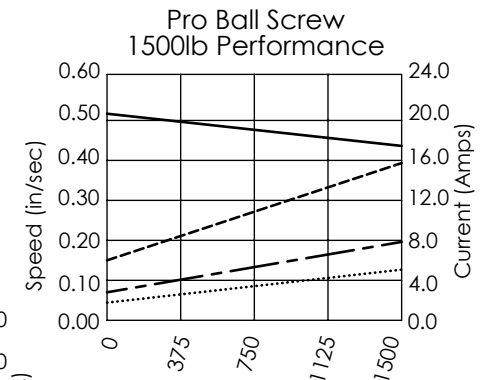
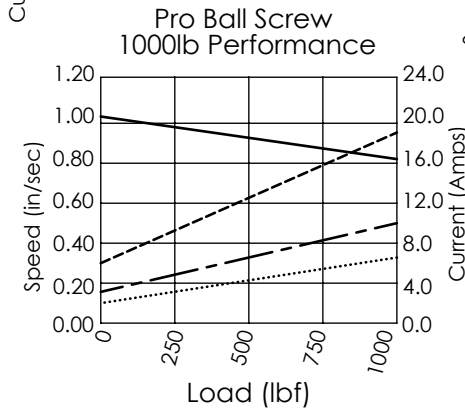
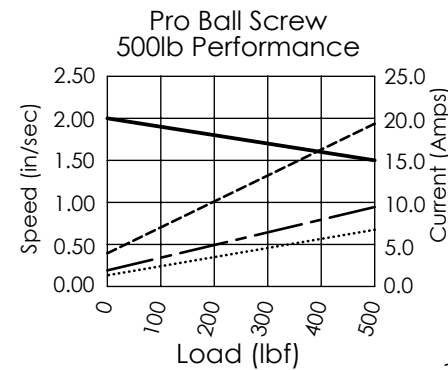
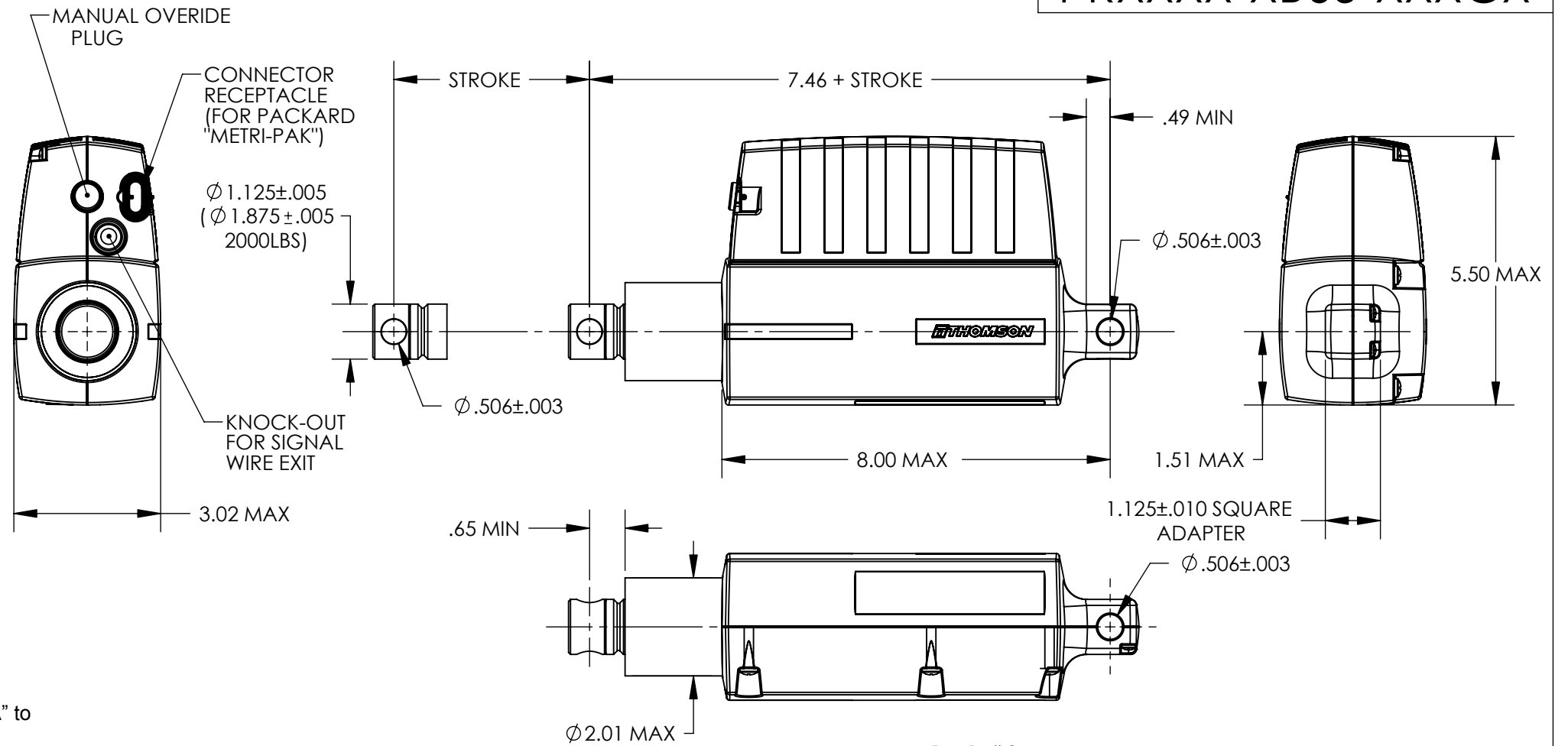
Connector: Mating connector to be Delphi Metri-Pack 280 part number (12020599) with two female terminals (12129493), wire seals (15324980) and secondary lock (12089754) or equivalent.

Power Switch: Can be operated using a double pole - double throw type switch with appropriate electrical rating. To extend the actuator, connect terminal "B" to positive and terminal "A" to negative input voltage. To retract the actuator, connect terminal "A" to positive and terminal "B" to negative input voltage.

Operating Conditions: -40 to +185°F ambient temperature. Dust and Water resistant per IEC IP-66 (IP-67 Optional). Salt and Humidity resistant per MIL-810.

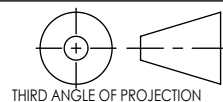


WIRING SCHEMATIC



THIS DOCUMENT IS THE PROPERTY OF DANAHER MOTION. IT IS FURNISHED TO YOU FOR CONFIDENTIAL INFORMATION PURPOSES ONLY AND IS NOT TO BE DISCLOSED, REPRODUCED OR USED FOR MANUFACTURING PURPOSES WITHOUT THE EXPRESS WRITTEN PERMISSION OF DANAHER MOTION.

UNLESS OTHERWISE SPECIFIED: MACHINE SURFACES 125✓ DEBURR HOLES AND SHARP EDGES 0.005/0.015. DO NOT SCALE DRAWING. SYMBOLS PER ANSI Y14.5



REFERENCES

PRODUCT RELEASE NO.	DRAWN BY GCN	DATE 01-24-07	SCALE FULL	SIZE B
	APPROVED BY	DATE	PAGE 1 of 1	



1300 NORTH STATE - MARENGO, IL - 60152

TITLE
OUTLINE, PRO SERIES, BALL SCREW

DRAWING NO.
PRXXX-XB65-XXXCX

13959	-	INITIAL RELEASE	GCN	01-24-07	-
ECN	REV	DESCRIPTION	BY	DATE	APV