

# PRXXX-XA65-XXXCX

Rated Performance:	Dynamic Thrust	Static Load Holding
Model Designation		
PRxx07-8A65-xxxCx	750 lbs	1500 lbs
PRxx05-8A65-xxxCx	500 lbs	1000 lbs
PRxx02-4A65-xxxCx	250 lbs	500 lbs

Input Voltage:	PR12	PR24	PR36
	10 to 16 VDC	20 to 32 VDC	30 to 40 VDC

Maximum Current at Rated Dynamic Thrust:	PR12	PR24	PR36
	22 amperes	12 amperes	8 amperes

Axial End Play: 0.040 inch maximum not including mounting points

Restraining Torque: 150 pound-inches minimum; mounting pins must be parallel

Duty Cycle: 25% maximum at rated load with a maximum "on time" of 30 seconds

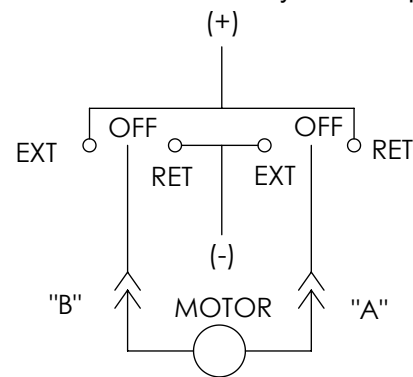
End of Stroke: Self Adjusting, Electronic, Internal Limit Switches

Overload Protection: Electronic Load Monitoring supports between 120 and 140% of rated dynamic thrust and protects against excessive duty. External fuse is recommended for additional protection.

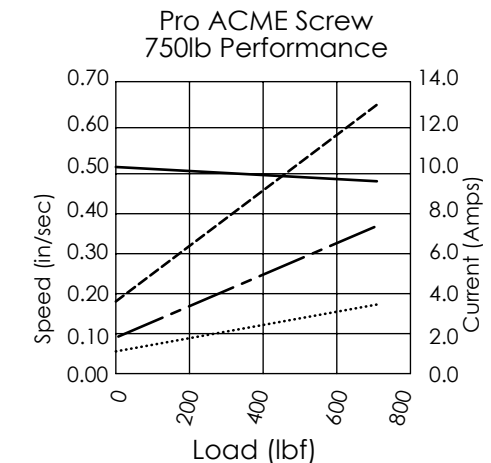
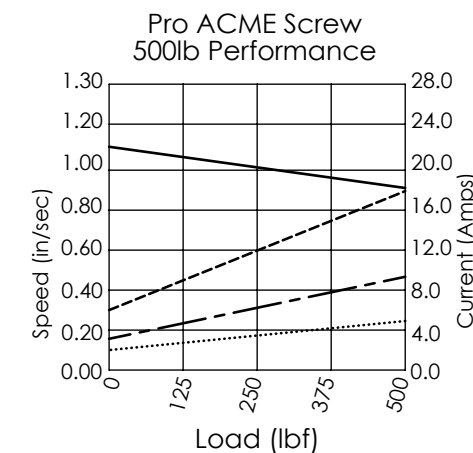
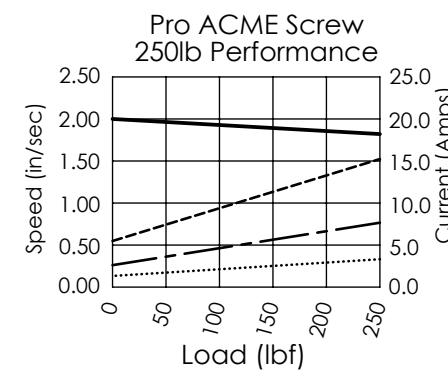
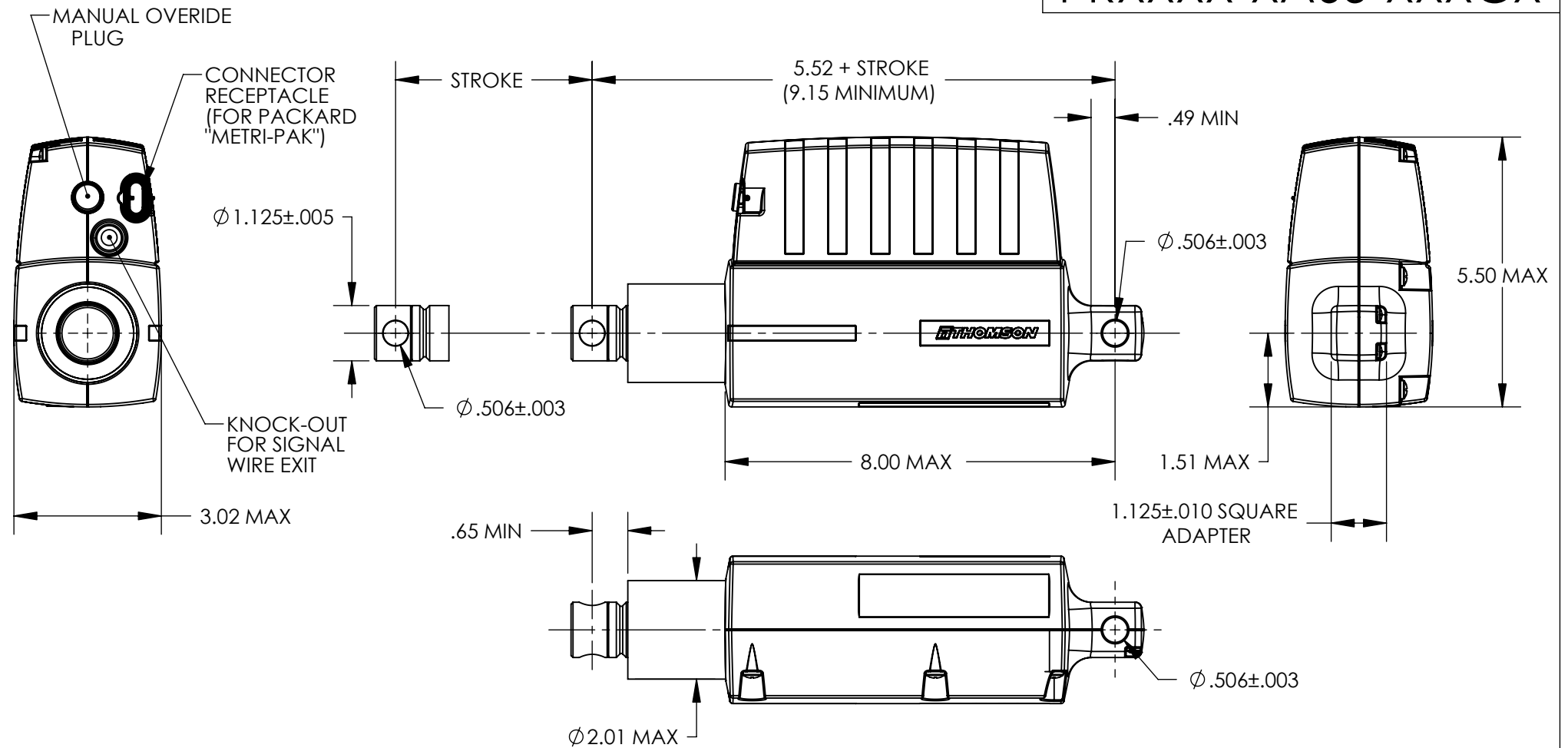
Connector: Mating connector to be Delphi Metri-Pack 280 part number (12020599) with two female terminals (12129493), wire seals (15324980) and secondary lock (12089754) or equivalent.

Power Switch: Can be operated using a double pole - double throw type switch with appropriate electrical rating.  
 To extend the actuator, connect terminal "B" to positive and terminal "A" to negative input voltage.  
 To retract the actuator, connect terminal "A" to positive and terminal "B" to negative input voltage.

Operating Conditions: -40 to +185 °F ambient temperature. Dust and Water resistant per IEC IP-66 (IP-67 Optional). Salt and Humidity resistant per MIL-810.



WIRING SCHEMATIC



Speed ———  
 Amps (12VDC) - - - - -  
 Amps (24VDC) - · - · -  
 Amps (36VDC) ······

THIS DOCUMENT IS THE PROPERTY OF DANAHER MOTION. IT IS FURNISHED TO YOU FOR CONFIDENTIAL INFORMATION PURPOSES ONLY AND IS NOT TO BE DISCLOSED, REPRODUCED OR USED FOR MANUFACTURING PURPOSES WITHOUT THE EXPRESS WRITTEN PERMISSION OF DANAHER MOTION.

UNLESS OTHERWISE SPECIFIED:  
 MACHINE SURFACES 125✓  
 DEBURR HOLES AND SHARP EDGES 0.005/0.015.  
 DO NOT SCALE DRAWING.  
 SYMBOLS PER ANSI Y14.5

THIRD ANGLE OF PROJECTION

REFERENCES	
PRODUCT RELEASE NO.	
DRAWN BY	DATE
GCN	01-24-07
APPROVED BY	DATE
SCALE	PAGE
FULL	1 of 1
SIZE	
B	

**THOMSON™**

DANAHER MOTION

1300 NORTH STATE - MARENGO, IL - 60152

TITLE: OUTLINE, PRO SERIES, ACME SCREW

DRAWING NO. **PRXXX-XA65-XXXCX**

REV -

13959	-	INITIAL RELEASE	GCN	01-24-07	-
ECN	REV	DESCRIPTION	BY	DATE	APV