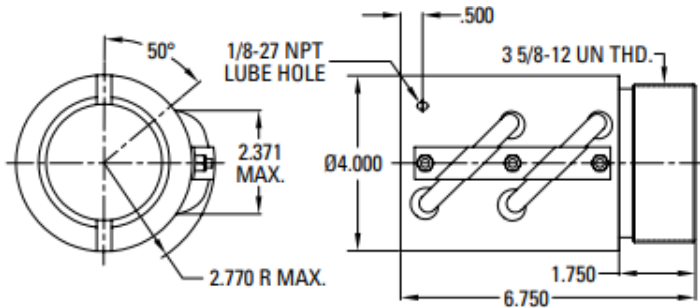


2.500 x 0.500 Ball Screw & Ball Nut (R-2502)



Thomson Standard Parts

- **Nut: 8125-448-010**
 - Safety Feature: Load Lock Spring
 - Includes Lube Port
 - Wiper Kit included
 - Not recommended to use with Nook Screw

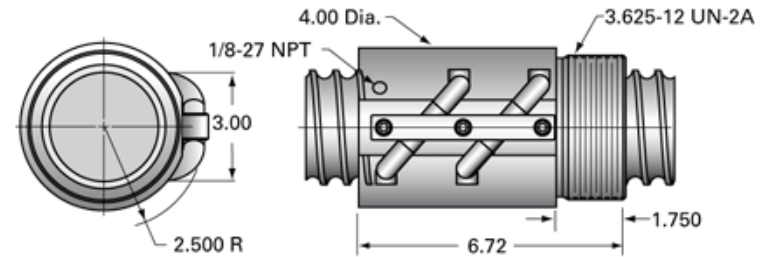


- **Screw: 190-9116/190-9139**
 - Screw Material: 1050 Steel
 - Standard Finish: Polished & Oiled



Recommended Nook Replacement

- **Nut: SBN10316**
 - Safety Feature: None
 - Includes Lube Port
 - Wiper kit not available
 - Not recommended to use with Thomson Screw



- **Screw: 2500-0500 SRT**
 - Screw Material: 4150 Steel
 - Standard Finish: Black Oxide



Key Differences:

- Screw Material: 4150 Steel is a higher grade steel which provides higher wear resistance and strength
- Screw Finish: Black Oxide coating – Matte Black finish that provides more lubricity and rust protection during storage

Nut Assembly:

FORM/FIT/FUNCTION:	NOOK	THOMSON
OD	4.000 +/- .005	4.000 +/- .001
OAL	6.720 +/- .010	6.750 +/- .005
V-THREAD LENGTH	1.750 +/- .010	1.750 +/- .005
DYNAMIC LOAD (lbs)	25,927	22,981
SCREW ROOT Ø	2.116	2.222