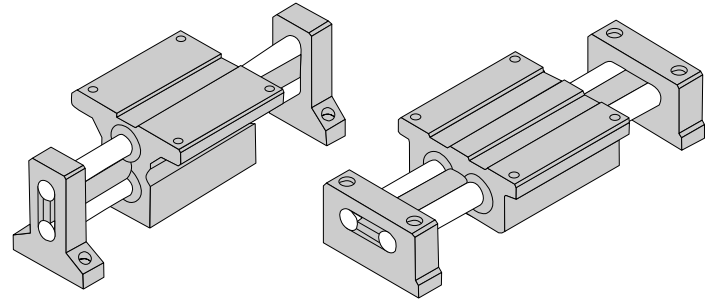


Twin Shaft Web* 2CA

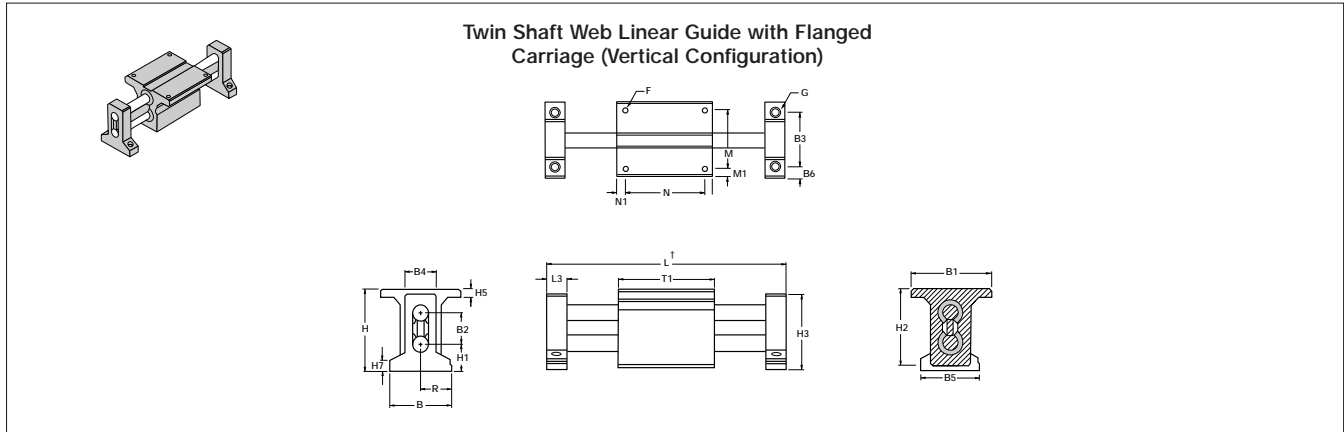
Linear Guide #14

with Flanged Carriage

Unpack and Install



INCH



Twin Shaft Web Linear Guide End Supported 2CA (Vertical Configuration) (Dimensions in inches)

Part Number	Nominal Diameter	L3	H	H1	H3	H7	B	R	B2	B3	B4	B6	T1	N
2CA-08-OKA	.50	.63	2.750	.875	2.56	.38	2.25	1.125	1.13	1.63	1.12	.31	3.5	3.00
2CA-12-OKA	.75	.75	3.625	1.125	3.44	.56	3.00	1.500	1.50	2.25	1.63	.38	4.5	4.00
2CA-16-OKA	1.00	1.00	4.625	1.375	4.50	.75	4.00	2.000	2.00	3.00	2.25	.50	6.0	5.25

Twin Shaft Web Linear Guide End Supported 2CA (Vertical Configuration) (Dimensions in inches)

Part Number	N1	H2	H5	B1	B5	M	M1	F	G		Max. Stroke Length	Twin Shaft Web Part Number
									Bolt	Hole		
2CA-08-OKA	.25	2.62	.37	3.5	1.5	3.00	.25	#10-32	#10	.22	L-(4.75)	TSW-08
2CA-12-OKA	.25	3.50	.50	4.5	2.0	4.00	.25	1/4-20	1/4	.28	L-(6.00)	TSW-12
2CA-16-OKA	.38	4.50	.62	6.0	2.5	5.25	.38	5/16-18	5/16	.34	L-(8.00)	TSW-16

2CA (Vertical Configuration) Flanged Carriage and End Support Part No.

Linear Guide Part Number	Carriage Part Number	End Support Part Number
2CA-08-OKA	FWC-08-V	WSB-08-V
2CA-12-OKA	FWC-12-V	WSB-12-V
2CA-16-OKA	FWC-16-V	WSB-16-V

† Maximum Overall Length is 72 inches.

Shaft Deflection Note:

Load limit may be below the dynamic load rating due to shaft deflection. Bearings can accommodate up to 1/2° deflection.

See Engineering Section (pg 204) for Deflection calculations.

Twin Shaft Web* Linear Guide

2CA Benefits:

- Used when spanning or bridging a gap.
- Double LinearRace* Shaft and welded integral web design maximizes torque and dramatically improves deflection characteristics.
- Pre-aligned for quick and easy installation.
- Designed to move medium loads with virtually frictionless travel.
- Flanged carriage provides a larger mounting surface.

Twin Shaft Web Linear Guide

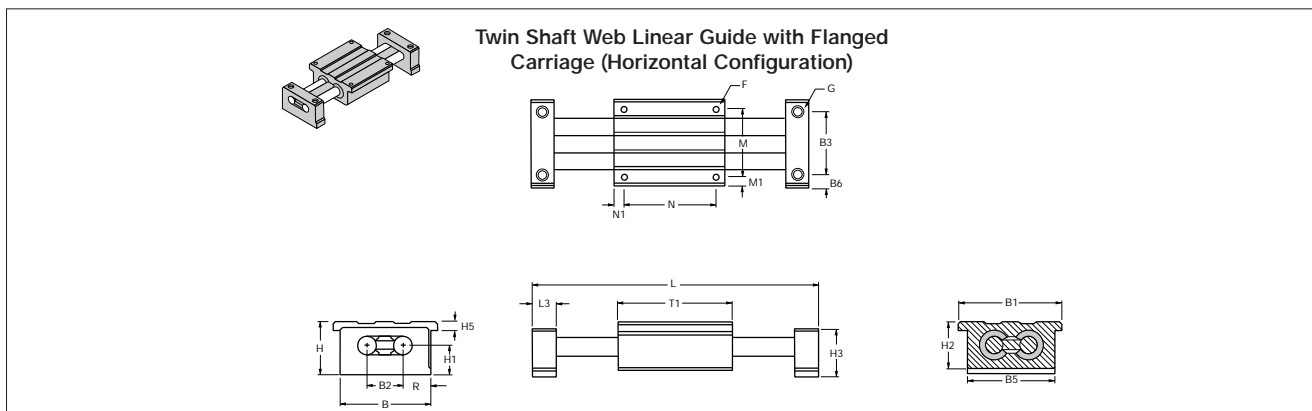
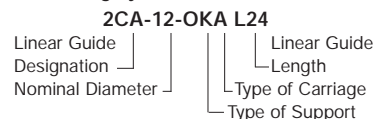
2CA Components: †

- Flanged integrated, carriage with 4 open type Super Smart Ball Bushing* bearings.
- Twin welded 60 Case* LinearRace shafts with integral web.
- 2 vertical or horizontal double end supports.

Specifying this Thomson Linear Guide:

1. Determine the proper Linear Guide for your load and life requirements.
2. Select the part number.
3. Add the letter "L" followed by the overall length in inches, as a suffix to the part number.

Part Numbering System



Twin Shaft Web Linear Guide End Supported 2CA (Vertical Configuration) (Dimensions in inches)

Part Number	Nominal Diameter	L3	H	H1	H3	B	R	B2	B3	B6	T1	N
2CA-08-OMB	.50	.63	1.625	.875	1.5	2.62	.75	1.13	2.00	.31	3.5	3.00
2CA-12-OMB	.75	.75	2.125	1.125	2.0	3.50	1.00	1.50	2.75	.37	4.5	4.00
2CA-16-OMB	1.00	1.00	2.625	1.375	2.5	4.50	1.25	2.00	3.62	.50	6.0	5.25

Twin Shaft Web Linear Guide End Supported 2CA (Horizontal Configuration) (Dimensions in inches)

Part Number	N1	B1	B5	M	M1	H2	H5	F	Bolt	Hole	Max. Stroke Length	Twin Shaft Web Part Number
2CA-08-OMB	.25	3.5	2.62	3.00	.25	1.5	.37	#10-32	#10	.22	L-(4.75)	TSW-08
2CA-12-OMB	.25	4.5	3.50	4.00	.25	2.0	.50	1/4-20	1/4	.28	L-(6.00)	TSW-12
2CA-16-OMB	.38	6.0	4.50	5.25	.38	2.0	.62	5/16-18	5/16	.34	L-(8.00)	TSW-16

2CA (Horizontal Configuration) Flanged Carriage and End Support Part No.

Linear Guide Part Number	Carriage Part Number	End Support Part Number
2CA-08-OMB	FWC-08-H	WSB-08-H
2CA-12-OMB	FWC-12-H	WSB-12-H
2CA-16-OMB	FWC-16-H	WSB-16-H

Dynamic Load Capacity Matrix (4 million inches travel)

Linear Guide Assembly Part No.	Dynamic Load Capacity (lbf) (Even Distribution)	Dynamic Roll Moment Capacity (in - lbf)
2CA-08-OKA	290	165
2CA-12-OKA	1800	1350
2CA-16-OKA	3000	3000
2CA-08-OMB	290	165
2CA-12-OMB	1800	1350
2CA-16-OMB	3000	3000

† Super Ball Bushing* bearings are used in .500 inch size carriages.