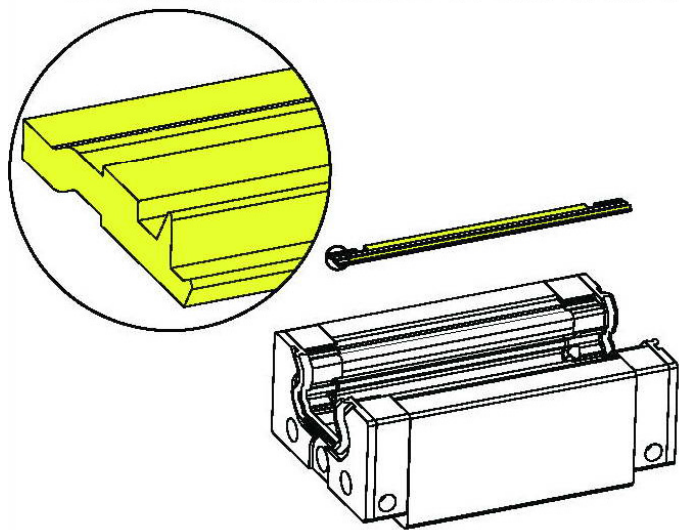
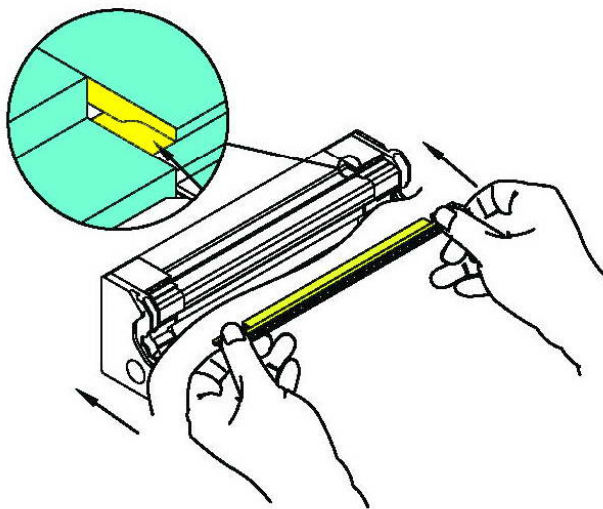


Mounting a side seal (if desired)

① Turn the block upside down & mind the direction of the side seal.



② Slot as shown.



③ Clip the side seal into the slot.

